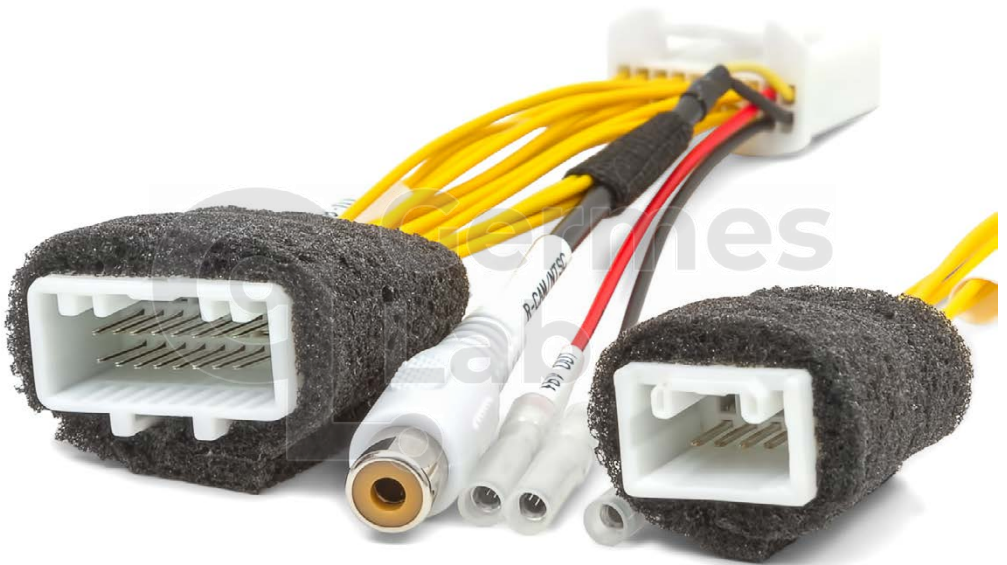


REAR VIEW CAMERA CONNECTION CABLE

for Toyota GEN5 / GEN6



ID: 865684

EXAMPLES OF STANDARD DEVICES FOR WHICH CABLE IS SUITABLE



The photo is provided for reference only. Appearance of the control panel and monitor may slightly differ depending on the car model.

DESCRIPTION

This cable allows you to connect rear view cameras in Toyota cars with MFD GEN5 and GEN6 multifunctional displays. The cable offers Plug&Play installation of aftermarket cameras without damaging the OEM wiring.

Image from the rear view camera will automatically be displayed on the screen when reversing. The device is connected to the 20 pin socket (see: connection diagram for GEN5, connection diagram for GEN6). After connection all OEM devices that work using this socket will not be disturbed and will continue to work as they did prior to the connection. There is a special cable included in the package content, specifically designed for cars that do not have the rear view activation signal in the monitor and were not equipped with rear view camera connection functionality by the manufacturer.

Note! Power of the additional rear view camera should be taken from the ACC line (first key turn), otherwise the camera input will not be active. Depending on the type of camera (more specifically, on the voltage required for work) +6 V output voltage of the monitor may be used. If the camera requires more than +6 V it should be connected to the ACC line.

COMPATIBILITY

Model	Model years		System	Car radio model
	From	To		
Auris	2008	2014	GEN5	TNS510
Avensis	2006	2009		
Corolla	2009	2010		
Corolla Verso	2009	—		
Hiace				
Hilux	2006	2011		
iQ	2008	—		
Land Cruiser C150	2009	2013		
Prius	2009	2011		
RAV4	2008			
Urban Cruiser	2009	—		
Verso	2009	2011		
Verso S	2006			
Yaris	2006			

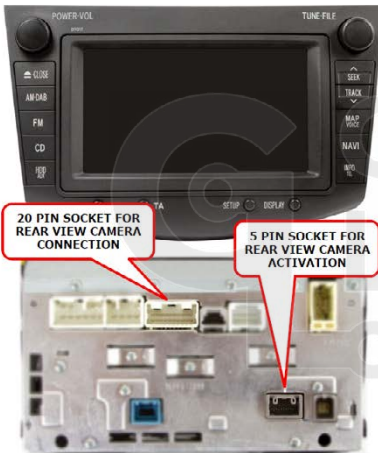
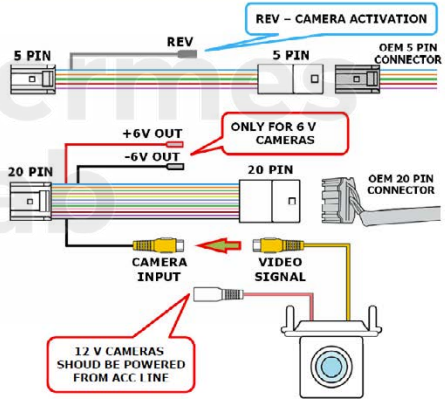
Model	Model years		System	Car radio model
	From	To		
Auris	2006	2011	GEN5	B9030 (TNS700) B9013 (TNS700)
Avensis		2009		

Model	Model years		System	Car radio model
	From	To		
Avensis	2009	2011	EU GEN6	B9012
Camry				B9018
Hightlander		2012		B9028
Prius				B9016 / B9019
RAV4		2013		B9017
Verso		2012		B9020 / B9029

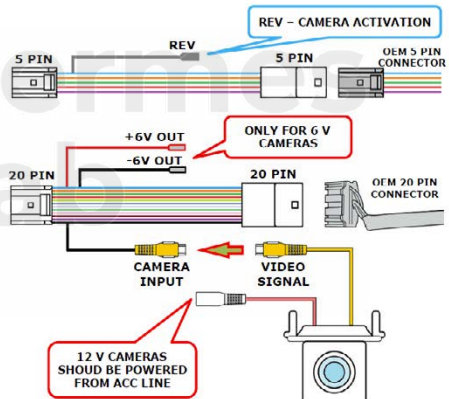
MANUALS



CONNECTION DIAGRAM FOR GEN5



CONNECTION DIAGRAM FOR GEN6



Product specifications, appearance and package content may differ from those presented on the website and can be changed without notice. Please, contact sales manager before purchase.



germeslab.com



Germes Lab



facebook.com/GermesLab



twittter.com/GermesLab



+852 397 33 882 (for English speaking users)

+1 323 7044 552 (for English speaking users)

+52 55 1163 8901 (para los usuarios que hablan español)

+55 61 4042 1515 (para os usuarios quem falam portugues)