

CABLE

for Rear View Camera Connection in
Subaru 2008-2015



ID: 866323

EXAMPLES OF STANDARD DEVICES FOR WHICH CABLE IS SUITABLE



The photo is provided for reference only. Appearance of the control panel and monitor may slightly differ depending on the car model.

DESCRIPTION

able for rear view camera connection in Suzuki cars with Garmin or Suzuki SLDA head unit. Using this cable you will be able to install an aftermarket camera Plug&Play without damaging the car wires. This cable is the analogue of Clarion CCA644 (CCA-644-600) cable.

Image from the rear view camera will automatically be displayed on the screen when reversing. The device is connected to the 5-pin socket (as shown in the connection diagram). Depending on your car radio model, this socket may be located in a different place from the one shown in the diagram. An additional rear view camera activation cable is included in the package contents. This cable is used in cars that do not support rear view camera connection and which did not have a REV rear view activation signal connected to their head unit by the manufacturer.

Note! The additionally installed rear view camera should be powered from ACC line (first turn of the key), otherwise the camera input will be not active. Depending on the type of the camera to be connected, namely on the voltage required for the camera, you can use input voltage +6 V, which the monitor produces. In case the camera requires more than +6 V, connect the camera power to ACC line.

COMPATIBILITY

Suzuki SLDA Head Units

| Model | Model years | | Head unit | Market |
|---------------|-------------|------|-------------------|----------------------|
| | From | To | | |
| Baleno | 2016 | 2019 | Suzuki Bosch SLDA | Cars for all markets |
| Ciaz | | | | |
| Ertiga | 2017 | | | |
| Hustler | 2016 | | | |
| Jimny | 2018 | — | | |
| Ignis | 2016 | 2019 | | |
| Lapin | | | | |
| Solio | | | | |
| Solio Bandit | | | | |
| Spacia | | | | |
| Spacia Custom | | | | |
| SX4 S-Cross | | | | |
| Vitara | 2015 | | | |
| Grand Vitara | | | | |
| Grand Vitara | 2017 | | | |

Suzuki Garmin Head Units

| Model | Model years | | Head unit | Market |
|--------------|-------------|------|---------------|----------------------|
| | From | To | | |
| Jimny | 2013 | 2018 | Suzuki Garmin | Cars for all markets |
| Kizashi | | 2016 | | |
| Grand Vitara | 2012 | 2015 | | |
| Vitara | | | | |
| Splash | | 2016 | | |
| SX4 | | | | |
| SX4 S-Cross | 2013 | | | |

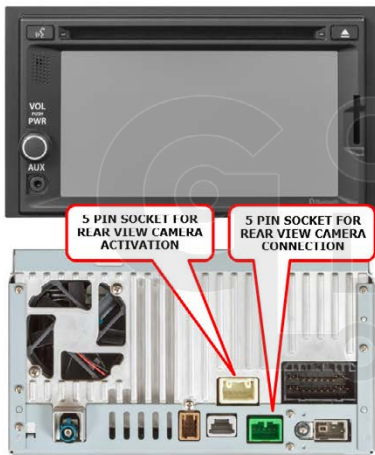
2DIN Clarion Head Units

| Manufacturer | Model years | Market |
|--------------|-------------|----------------------------|
| Clarion | NX503 | Head units for all markets |
| | NX504 | |
| | NX603 | |
| | NX604 | |
| | NX605 | |
| | FX503 | |
| | FX504 | |

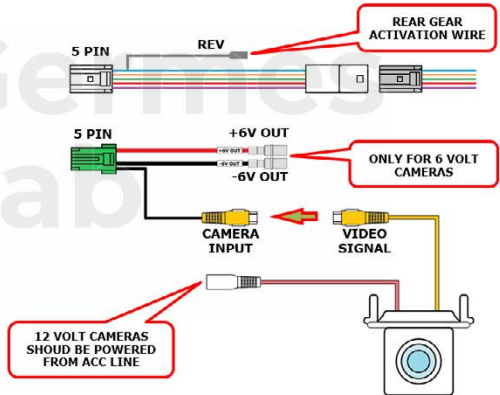
Note! Only NTSC cameras are supported.

Note! Additional cable doesn't need to be used with Clarion head units.

MANUALS



CONNECTION DIAGRAM



Product specifications, appearance and package content may differ from those presented on the website and can be changed without notice. Please, contact sales manager before purchase.



germeslab.com



Germes Lab



facebook.com/GermesLab



twittter.com/GermesLab



+852 397 33 882 (for English speaking users)

+1 323 7044 552 (for English speaking users)

+52 55 1163 8901 (para los usuarios que hablan español)

+55 61 4042 1515 (para os usuarios quem falam portugues)