

# CAR CAMERA CONNECTION CABLE

to Toyota Touch 2 Monitor / Entune



ID: 847398

# EXAMPLES OF STANDARD DEVICES FOR WHICH CABLE IS SUITABLE



*The photo is provided for reference only. Appearance of the control panel and monitor may slightly differ depending on the car model.*

# DESCRIPTION

Cable for rear view camera connection to the OEM monitor Toyota Touch 2. Using this cable you will be able to install the aftermarket camera Plug&Play without damaging the car wires.

Image from the rear view camera will automatically be displayed on the screen when reversing. The device is connected to the 24 pin socket (as shown in the connection diagram). After connection all OEM functions which work using this socket are preserved due to transit type of connection.

**Note!** The additionally installed rear view camera should be powered from ACC line (first turn of the key), otherwise the camera input will be not active. Depending on the type of the camera to be connected, namely on the voltage required for the camera, you can use input voltage +6 V, which the monitor produces. In case the camera requires more than +6 V, connect the camera power to ACC line.

**Note!** Only cameras in NTSC format are supported.

**Note!** This cable is incompatible with Entune 3.0 system.

# COMPATIBILITY

## Touch 2

Model	Model years		System	Additional compatibility conditions
	From	To		
Alphard	2015	2017	Toyota Touch 2  Toyota Touch 2 with Go  Toyota Touch 2 with Go Plus	24 pin socket on the monitor for cable connection
Auris	2014	—		
Avensis	2014			
C-HR	2016			
Camry	2014	2017		
Corolla	2013	—		
Corolla Sedan	2013			
GT86	2016			
Highlander	2013			
Hilux	2013			
Land Cruiser 150	2013			
Mirai	2016			
Prius+	2014			
RAV4	2014			
Verso	2014			
Verso S	2013			
Yaris	2014			

# Scion

Model	Model years		System	Additional compatibility conditions
	From	To		
4Runner	2014	—	Entune Audio	24 pin socket on the monitor for cable connection
Alphard	2015			
Avalon	2014			
C-HR	2016			
Camry	2014			
Corolla	2013			
Fortuner	2015			
GT86	2016			
Highlander	2013			
Mirai	2016			
Prius c	2014			
Prius v	2014			
RAV4	2014			
Sequoia	2014			
Sienna	2014			
Tacoma	2014			
Tundra	2014			
Venza	2014			

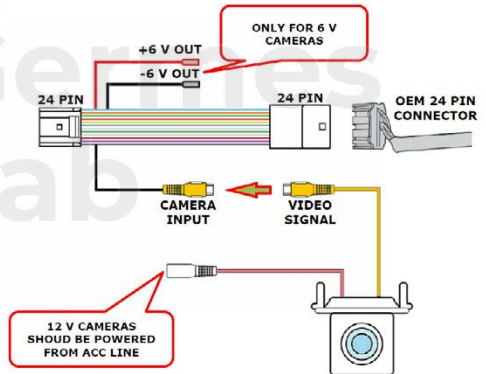
# MANUALS



24 PIN SOCKET FOR REAR VIEW CAMERA CONNECTION



## CONNECTION DIAGRAM



Product specifications, appearance and package content may differ from those presented on the website and can be changed without notice. Please, contact sales manager before purchase.



germeslab.com



Germes Lab



facebook.com/GermesLab



twittter.com/GermesLab



+852 397 33 882 (for English speaking users)

+1 323 7044 552 (for English speaking users)

+52 55 1163 8901 (para los usuarios que hablan español)

+55 61 4042 1515 (para os usuarios quem falam portugues)