

# CABLE

for Rear View Camera Connection in  
Subaru 2008-2015



ID: 860041

# EXAMPLES OF STANDARD DEVICES FOR WHICH CABLE IS SUITABLE



*The photo is provided for reference only. Appearance of the control panel and monitor may slightly differ depending on the car model.*

# DESCRIPTION

Cable for rear view camera connection to the OEM monitors of Subaru cars of 2008-2015 model years. Using this cable you will be able to install the aftermarket camera Plug&Play without damaging the car wires.

Image from the rear view camera will automatically be displayed on the screen when reversing. The device is connected to the 8 pin socket (as shown in the connection diagram). After connection all OEM functions which work using this socket are preserved due to transit type of connection.

**Note!** The additionally installed rear view camera can be powered from rear lamps power line. I.e. constant power line is not needed for activation. Depending on the type of the camera to be connected, namely the operating voltage, you can use power converter to decrease heating of the linear power supply which is built in the camera. In case the camera requires more than +6 V, connect the camera power directly to the rear lamps power line.

**Note!** Only cameras in NTSC format are supported.

# COMPATIBILITY

## Subaru with 2DIN Kenwood navi monitor

Model	Model years		Monitor	Additional compatibility conditions
	From	To		
Exiga	2008	2013	2DIN Kenwood navi	8 pin socket on the monitor for cable connection
Forester	2009			
Impreza	2008			
OBS	2008			
STI	2008			
WRX	2008			

## Subaru with the monitor with the external navigation module

Model	Model years		Monitor	Additional compatibility conditions
	From	To		
Legacy	2010	2012	with external navigation module	8 pin socket on the monitor for cable connection
Outback	2010	2012		

## Subaru with 4.3" monitor

Model	Model years		Monitor model	Additional compatibility conditions
	From	To		
Crosstreck	2012	2015	CM631UD	8 pin socket on the monitor for cable connection
Forester	2011	2015	CP635U1	
			CP435L1	
			CP335R1	
			CP235K1	
Impreza	2012	2015	CM631UD	

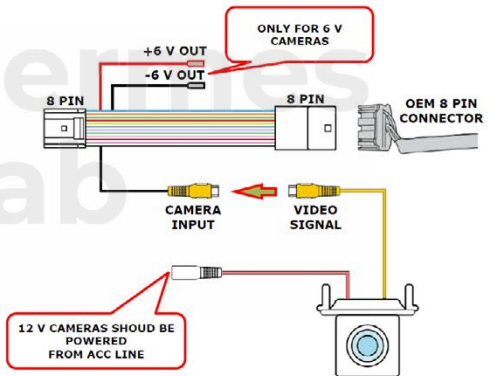
## Subaru with the monitor with built-in DVD player and navigation module

Model	Model years		Monitor model	Additional compatibility conditions
	From	To		
Legacy	2008	2009	Monitor with built-in DVD and navigation module	8 pin socket on the monitor for cable connection
Outback	2008	2009		

# MANUALS



## CONNECTION DIAGRAM



Product specifications, appearance and package content may differ from those presented on the website and can be changed without notice. Please, contact sales manager before purchase.



germeslab.com



Germes Lab



facebook.com/GermesLab



twittter.com/GermesLab



+852 397 33 882 (for English speaking users)

+1 323 7044 552 (for English speaking users)

+52 55 1163 8901 (para los usuarios que hablan español)

+55 61 4042 1515 (para os usuarios quem falam portugues)