

# CAMERA CONNECTION CABLE

for Nissan with Nissan Audio System



ID: 871913

# EXAMPLES OF STANDARD DEVICES FOR WHICH CABLE IS SUITABLE



*The photo is provided for reference only. Appearance of the control panel and monitor may slightly differ depending on the car model.*

# DESCRIPTION

Cable for rear view camera connection in Nissan cars with OEM Nissan Audio multimedia system without navigation. Using this cable you will be able to install an aftermarket camera Plug&Play without damaging the car wires.

Image from the rear view camera will automatically be displayed on the screen when reversing. Dynamic parking lines that will turn with the steering wheel will be displayed on the camera image. Parking lines can be adjusted in the service menu (see parking lines adjustment manual). The device is connected to the 32 pin socket (as shown in the connection diagram). Depending on your car radio model, this socket may be located in a different place from the one shown in the diagram. After connection all OEM devices that work using this socket will not be disturbed and will continue to work as they did prior to the connection.

**Note!** If your car radio was not installed by the manufacturer, the backup activation signal may be absent from the wires connected to the car radio. For cases like this there's a gray REV wire in our cable. +12 V should be supplied to this wire when the car is switched to reverse (may be taken from the rear lamp). Also, you may check the connection of this activation signal in the diagnostics menu.

**Note!** The additionally installed rear view camera should be powered from ACC line (first turn of the key), otherwise the camera input will be not active. Depending on the type of the camera to be connected, namely on the voltage required for the camera, you can use input voltage +6 V, which the monitor produces. In case the camera requires more than +6 V, connect the camera power to ACC line.

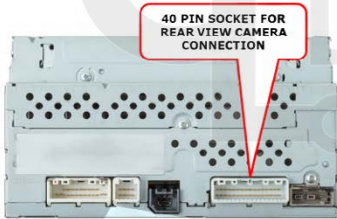
# COMPATIBILITY

Model	Model years		Head unit	Screen size	Additional compatibility conditions
	From	To			
Almera	2011	2017	Nissan Audio without navigation	4.2"	Cars for all EU/US/CA/ BR/Asia markets
Altima					
Altima Hybrid					
Cube		2018			
Frontier					
Juke	2019				
Lannia		2016			
Micra	2011	2017			
Murano	2015	2018			
Navara		2019			
Note	2011	2018			
Note Versa					
NP300 Navara	2015	2019			
NV Cargo	2012				
NV200 Taxi	2014				
NV Passenger	2012				
Pulsar	2014	2018			

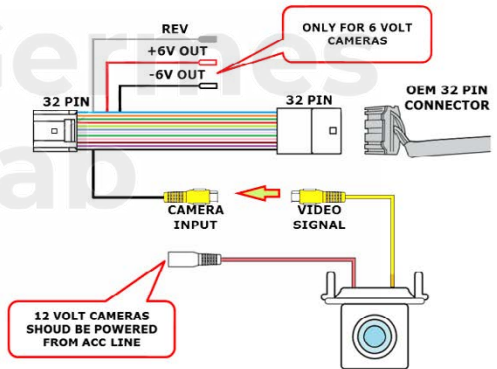
Model	Model years		Head unit	Screen size	Additional compatibility conditions
	From	To			
Rogue	2011	2019	Nissan Audio without navigation	4.2"	Cars for all EU/US/CA/BR/Asia markets
Rogue Select	2012				
Sentra	2015				
Teana	2014			5"	
Tiida	2016			7"	
Titan	2014				
Versa Note					
Versa Sedan	2015				
Qashqai	2014				
X-Trail	2015				

**Note!** Only NTSC format cameras are supported.

# MANUALS



## CONNECTION DIAGRAM



Product specifications, appearance and package content may differ from those presented on the website and can be changed without notice. Please, contact sales manager before purchase.



germeslab.com



Germes Lab



facebook.com/GermesLab



twittter.com/GermesLab



+852 397 33 882 (for English speaking users)

+1 323 7044 552 (for English speaking users)

+52 55 1163 8901 (para los usuarios que hablan español)

+55 61 4042 1515 (para os usuarios quem falam portugues)